

Effective: HY25-2626-M1/US June 15, 2021  
Supersedes: HY25-2626-M1/US September 15, 2006



## Power Take-Offs Parts List

626, 628, 630, & 645 Series



### **WARNING — User Responsibility**

FAILURE OR IMPROPER SELECTION OR IMPROPER USE OF THE PRODUCTS DESCRIBED HEREIN OR RELATED ITEMS CAN CAUSE DEATH, PERSONAL INJURY AND PROPERTY DAMAGE.

This document and other information from Parker Hannifin Corporation, its subsidiaries and authorized distributors provide product or system options for further investigation by users having technical expertise.

The user, through its own analysis and testing, is solely responsible for making the final selection of the system and components and assuring that all performance, endurance, maintenance, safety and warning requirements of the application are met. The user must analyze all aspects of the application, follow applicable industry standards, and follow the information concerning the product in the current product catalog and in any other materials provided from Parker or its subsidiaries or authorized distributors.

To the extent that Parker or its subsidiaries or authorized distributors provide component or system options based upon data or specifications provided by the user, the user is responsible for determining that such data and specifications are suitable and sufficient for all applications and reasonably foreseeable uses of the components or systems.

### **Offer of Sale**

The items described in this document are hereby offered for sale by Parker Hannifin Corporation, its subsidiaries or its authorized distributors. This offer and its acceptance are governed by the provisions stated in the "Offer of Sale".



**WARNING:** This product can expose you to chemicals including Lead and Lead Compounds, and Di(2-ethylhexyl)phthalate (DEHP) which are known to the State of California to cause cancer and birth defects or other reproductive harm. For more information go to [www.P65Warnings.ca.gov](http://www.P65Warnings.ca.gov)

© Copyright 2021, Parker Hannifin Corporation, All Rights Reserved

**Table of Contents**

---

Model Number Designator ..... 1

Exploded View ..... 2

Bill of Materials ..... 3

Gear Chart 626 ..... 4

Gear Chart 628 ..... 5

Gear Chart 630 ..... 6

Gear Chart 645 ..... 7

Dimensional Drawings 626 & 628 ..... 8

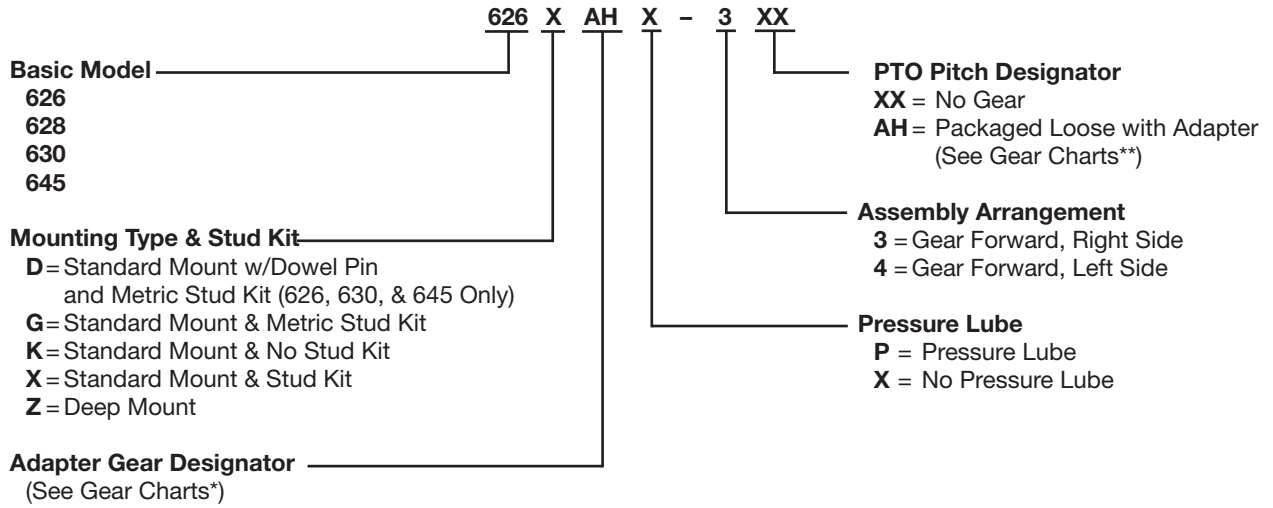
Dimensional Drawings 630 & 645 ..... 9

Kits Bill of Materials ..... 10

Offer of Sale ..... 14-15

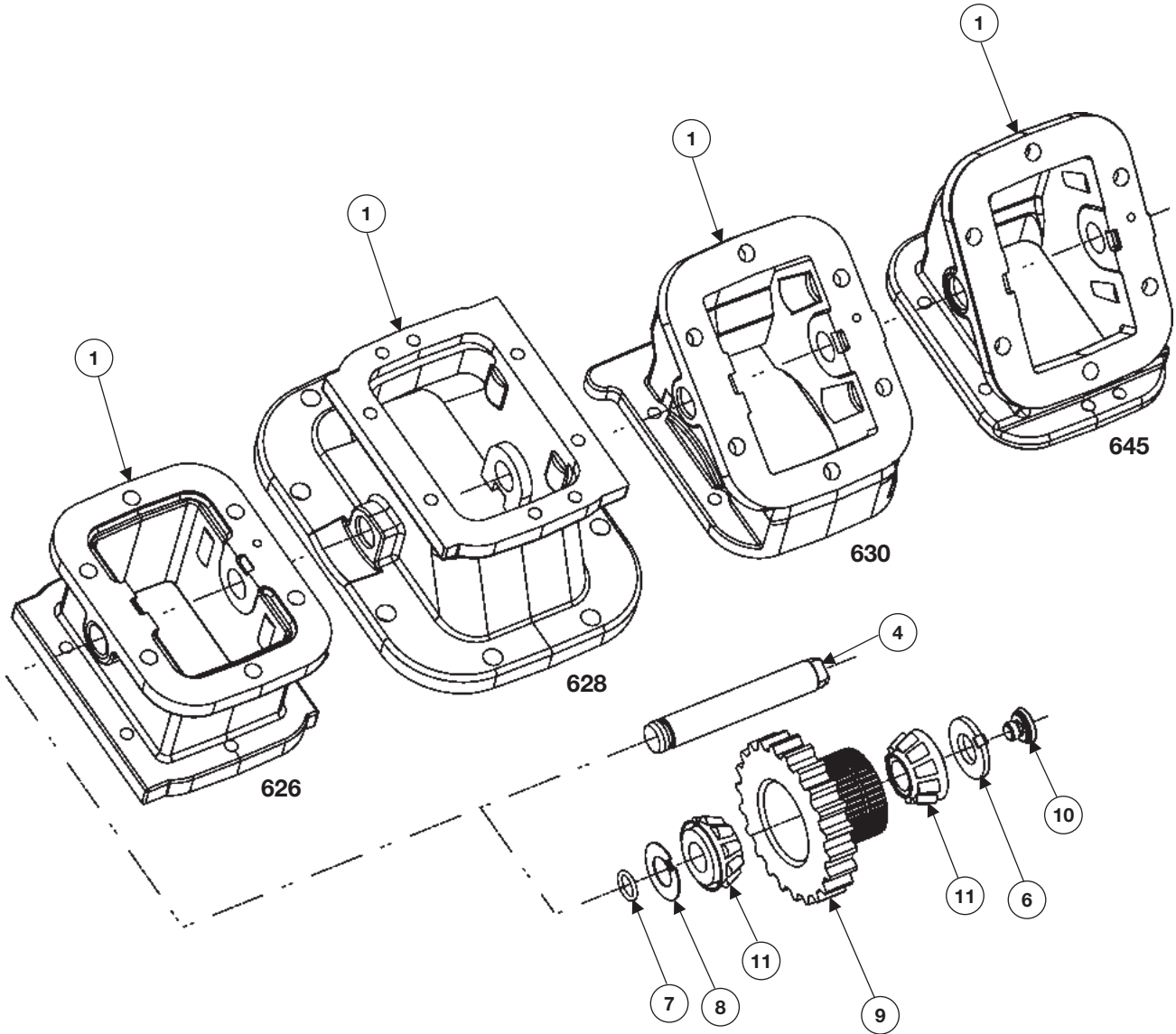


**Model Number Designator**



\* Select Proper Pitch from the “Adapter Input Gear” column of the Gear Chart to Mesh with the Transmission Gear

\*\* Select the Proper Pitch from the “PTO Gear” column of the chart to mesh with the Adapter Input Gear. This Gear will be packaged loose with the adapter to be assembled in the PTO.



Bill of Materials

Item	Part Number	Description	Series			
			626	628	630	645
1	42-P-217X	Adapter Body Assembly - Standard Mount .....	1 or			
	42-P-220X	Adapter Body Assembly - Standard Mount .....		1 or		
	42-P-231X	Adapter Body Assembly - Standard Mount .....			1 or	
	42-P-223X	Adapter Body Assembly - Standard Mount .....				1 or
N.S.	42-P-218X	Adapter Body Assembly - Deep Mount .....	1 or			
	42-P-221X	Adapter Body Assembly - Deep Mount .....		1		
	42-P-232X	Adapter Body Assembly - Deep Mount .....			1 or	
	42-P-224X	Adapter Body Assembly - Deep Mount .....				1 or
N.S.	42-P-226XD	Adapter Body Assembly - Dowel Pin Mount.....	1			
	42-P-233XD	Adapter Body Assembly - Dowel Pin Mount.....			1	
	42-P-225XD	Adapter Body Assembly - Dowel Pin Mount.....				1
4	9-P-88	Idler Shaft .....	1 or	1 or	1 or	1 or
N.S.	9-P-89	Idler Shaft (Pressure Lube Option).....	1	1	1	1
6	14-P-73-1	Bearing Adjusting Spacer (.149" - .151").....	A.R.	A.R.	A.R.	A.R.
	14-P-73-2	Bearing Adjusting Spacer (.152" - .154").....	A.R.	A.R.	A.R.	A.R.
	14-P-73-3	Bearing Adjusting Spacer (.155" - .157").....	A.R.	A.R.	A.R.	A.R.
7	28-P-191	O-ring (For Slip Fit Idler Shaft) .....	1	1	1	1
8	31-P-102	Thrust Washer .....	1	1	1	1
9	See Gear Chart	Adapter to Transmission Gear .....	1	1	1	1
10	379672	O-ring Plug w/ 3/16" Hex Sockethead Face (NWD Plug) .....	1	1	1	1
11	550439	Tapered Bearing Cone.....	2	2	2	2
N.S.	68-P-2	Name Plate.....	1	1	1	1
N.S.	378422	Drive Screw .....	2	2	2	2
N.S.	500897-5	Shipping Plug (Pressure Lube Only) .....	1	1	1	1
<b>Loose Parts</b>						
	328075X	Pressure Lube Hose Assembly .....	1	1	1	1
	328948-26X	Sealant & Installation Instructions (D Mount Only).....	1		1	1
	328948-22X	Gasket & Installation Instructions (All Other Mounting Types).....	1		1	1
	328948-20X	Gasket & Installation Instructions (All Mounting Types).....		1		
	328170-76X	Stud Kit (Adapter to Transmission / Std. Mount).....	1 or		1 or	1 or
	328170-77X	Stud Kit (Adapter to Transmission / Deep Mount).....	1 or		1 or	1 or
	7170-78X	Stud Kit (Adapter to Transmission / Metric G Mount).....	1 or		1 or	1 or
	7170-72X	Stud Kit (Adapter to Transmission / Metric DJA Mount).....	1		1	1
	328170-209X	Stud Kit (Adapter to Transmission / X & Z Mount) .....		1 or		
	328170-201X	Stud Kit (Adapter to Transmission / Metric G Mount).....		1		
	See Chart	Stud Kit (PTO to Adapter).....	1	1	1	1
	See Chart	Mounting Spacer (Between Adapter & PTO).....	1	1	1	1

N.S. — Not Shown

A.R. — As Required

## 626 Gear Chart

Model No.	Adapter Input Gear	Helix Angle	No. Teeth	Spacer Designator	Stud Kit	PTO Pitch	Part No. PTO Gear	Helix Angle	No. Teeth
626*AB	5-P-1001	Spur	19	7-A-140	7170-3X	—**AB	5-P-1001	Spur	19
626*AH	5-P-1004	Spur	22	7-A-140	7170-3X	—**AH	5-P-1004	Spur	22
626*AG	5-P-1003	Spur	22	7-A-140	7170-3X	—*AG	5-P-1003	Spur	22
626*AP	5-P-1006	Left Hand	21	7-A-140	7170-3X	—**GX	5-P-1183	Right Hand	21
626*AR	5-P-1008	Left Hand	21	7-A-187	7170-3X	—**GY	5-P-1184	Right Hand	21
626*AX	5-P-1010	Right Hand	22	7-A-140	7170-3X	—*HA	5-P-1186	Left Hand	22
626*BG	5-P-1015	Left Hand	23	7-A-140	7170-3X	—**HB	5-P-1187	Right Hand	23
626*BH	5-P-1016	Right Hand	25	7-A-240	7170-4X	—*BJ	5-P-1017	Left Hand	25
626*BM	5-P-1020	Left Hand	22	7-A-165	328170-94X	—*HC	5-P-1188	Right Hand	22
626*BQ	5-P-1023	Left Hand	25	7-A-200	7170-4X	—**BP	5-P-1022	Right Hand	26
626*BS	5-P-1025	Left Hand	26	7-A-062	7170-4X	—*BR	5-P-1024	Right Hand	26
626*CB	5-P-1029	Left Hand	25	7-A-140	7170-3X	—**HD	5-P-1189	Right Hand	25
626*CD	5-P-1031	Left Hand	27	7-A-270	7170-4X	—**HE	5-P-1190	Right Hand	27
626*DA	5-P-1037	Spur	23	--	--	—**DA	5-P-1037	Spur	23
626*DM	5-P-1045	Left Hand	17	7-A-125	7170-3X	—*HF	5-P-1191	Right Hand	17
626*DN	5-P-1046	Left Hand	19	--	--	—*HG	5-P-1192	Right Hand	19
626*DU	5-P-1050	Left Hand	28	7-A-240	7170-4X	—**HH	5-P-1193	Right Hand	28
626*EC	5-P-1055	Left Hand	36	7-A-300	7170-4X	—*HJ	5-P-1194	Right Hand	36
626*ED	5-P-1056	Left Hand	34	7-A-240	7170-4X	—**HK	5-P-1195	Right Hand	34
626*ES	5-P-1059	Left Hand	22	7-A-062	--	—**HL	5-P-1196	Right Hand	22
626*EV	5-P-1060	Spur	40	7-A-300	7170-4X	—**EV	5-P-1060	Spur	40
626*EW	5-P-1061	Left Hand	20	7-A-125	7170-3X	—**HM	5-P-1197	Right Hand	20
626*FC	5-P-1064	Left Hand	26	7-A-165	7170-3X	—**HP	5-P-1199	Right Hand	26
626*FE	5-P-1065	Left Hand	29	7-A-270	7170-4X	—*HQ	5-P-1200	Right Hand	29
626*FN	5-P-1070	Left Hand	26	7-A-300	7170-4X	—**HR	5-P-1201	Right Hand	26
626*GQ	5-P-1150	Left Hand	26	7-A-125	7170-3X	—*HS	5-P-1202	Right Hand	26
626*GR	5-P-1157	Spur	23	7-A-062	--	—*GR	5-P-1157	Spur	23
626*HY	5-P-1237	Left Hand	26	7-A-125	328170-94X	—**JB	5-P-1244	Right Hand	26
626*IT	KIT ADAPTER								
626*JA	5-P-1243	Left Hand	27	7-A-165	7170-3X	—**JC	5-P-1247	Right Hand	27
626*JD	5-P-1248	Left Hand	20	7-A-200	7170-3X	—*JE	5-P-1249	Right Hand	20
626*JK	5-P-1261	Left Hand	24	7-A-187	7170-3X	—**JL	5-P-1262	Right Hand	24
626*JM	5-P-1263	Left Hand	22	7-A-125	7170-3X	—**JN	5-P-1264	Right Hand	22
626*JP	5-P-1268	Left Hand	33	7-A-187	7170-3X	—*JQ	5-P-1269	Right Hand	33
626*JS	5-P-1310	Left Hand	20	7-A-062	--	—*JY	5-P-1312	Right Hand	20
626*JU	5-P-1316	Left Hand	25	7-A-200	7170-4X	—**KA	5-P-1318	Right Hand	25
626*JW	5-P-1319	Left Hand	23	7-A-093	7170-3X	—**KB	5-P-1321	Right Hand	23
626*KJ	5-P-1405	Left Hand	33	--	328170-94X	—*KK	5-P-1406	Right Hand	33
626*KN	5-P-1383	Left Hand	27	7-A-270	7170-4X	—*KP	5-P-1384	Right Hand	27
626*KX	5-P-1411	Left Hand	26	7-A-125	328170-94X	—*KY	5-P-1412	Right Hand	26



**628 Gear Chart****626, 628, 630, 645 Series**

Model No.	Adapter Input Gear	Helix Angle	No. Teeth	Spacer Designator	Stud Kit	PTO Pitch	Part No. PTO Gear	Helix Angle	No. Teeth
628*AB	5-P-1001	Spur	19	7-A-140	7170-3X	-**AB	5-P-1001	Spur	19
628*AH	5-P-1004	Spur	22	7-A-165	7170-3X	-**AH	5-P-1004	Spur	22
628*AR	5-P-1008	Left Hand	21	7-A-200	7170-3X	-**GY	5-P-1184	Right Hand	21
628*BG	5-P-1015	Left Hand	23	7-A-165	7170-3X	-**HB	5-P-1187	Right Hand	23
628*DA	5-P-1037	Spur	23	--	328170-76X	-**DA	5-P-1037	Spur	23
628*DU	5-P-1050	Left Hand	28	7-A-270	7170-5X	-**HH	5-P-1193	Right Hand	28
628*EV	5-P-1060	Spur	40	7-A-300	7170-5X	-**EV	5-P-1060	Spur	40

## 630 Gear Chart

Model No.	Adapter Input Gear	Helix Angle	No. Teeth	Spacer Designator	Stud Kit	PTO Pitch	Part No. PTO Gear	Helix Angle	No. Teeth
630*AB	5-P-1001	Spur	19	7-A-140	7170-3X	—**AB	5-P-1001	Spur	19
630*AH	5-P-1004	Spur	22	7-A-140	7170-3X	—**AH	5-P-1004	Spur	22
630*AG	5-P-1003	Spur	22	7-A-140	7170-3X	—*AG	5-P-1003	Spur	22
630*AP	5-P-1006	Left Hand	21	7-A-140	7170-3X	—**GX	5-P-1183	Right Hand	21
630*AR	5-P-1008	Left Hand	21	7-A-187	7170-3X	—**GY	5-P-1184	Right Hand	21
630*AX	5-P-1010	Right Hand	22	7-A-140	7170-3X	—*HA	5-P-1186	Left Hand	22
630*BG	5-P-1015	Left Hand	23	7-A-140	7170-3X	—**HB	5-P-1187	Right Hand	23
630*BH	5-P-1016	Right Hand	25	7-A-240	7170-4X	—*BJ	5-P-1017	Left Hand	25
630*BM	5-P-1020	Left Hand	22	7-A-165	328170-94X	—*HC	5-P-1188	Right Hand	22
630*BQ	5-P-1023	Left Hand	25	7-A-200	7170-4X	—**BP	5-P-1022	Right Hand	26
630*BS	5-P-1025	Left Hand	26	7-A-062	7170-4X	—*BR	5-P-1024	Right Hand	26
630*CB	5-P-1029	Left Hand	25	7-A-140	7170-3X	—**HD	5-P-1189	Right Hand	25
630*CD	5-P-1031	Left Hand	27	7-A-270	7170-4X	—**HE	5-P-1190	Right Hand	27
630*DA	5-P-1037	Spur	23	--	--	—**DA	5-P-1037	Spur	23
630*DM	5-P-1045	Left Hand	17	7-A-125	7170-3X	—*HF	5-P-1191	Right Hand	17
630*DN	5-P-1046	Left Hand	19	--	--	—*HG	5-P-1192	Right Hand	19
630*DU	5-P-1050	Left Hand	28	7-A-240	7170-4X	—**HH	5-P-1193	Right Hand	28
630*EC	5-P-1055	Left Hand	36	7-A-300	7170-4X	—*HJ	5-P-1194	Right Hand	36
630*ED	5-P-1056	Left Hand	34	7-A-240	7170-4X	—**HK	5-P-1195	Right Hand	34
630*ES	5-P-1059	Left Hand	22	7-A-062	--	—**HL	5-P-1196	Right Hand	22
630*EV	5-P-1060	Spur	40	7-A-300	7170-4X	—**EV	5-P-1060	Spur	40
630*EW	5-P-1061	Left Hand	20	7-A-125	7170-3X	—**HM	5-P-1197	Right Hand	20
630*FC	5-P-1064	Left Hand	26	7-A-165	7170-3X	—**HP	5-P-1199	Right Hand	26
630*FE	5-P-1065	Left Hand	29	7-A-270	7170-4X	—*HQ	5-P-1200	Right Hand	29
630*FN	5-P-1070	Left Hand	26	7-A-300	7170-4X	—**HR	5-P-1201	Right Hand	26
630*GQ	5-P-1150	Left Hand	26	7-A-125	7170-3X	—*HS	5-P-1202	Right Hand	26
630*GR	5-P-1157	Spur	23	7-A-062	--	—*GR	5-P-1157	Spur	23
630*HY	5-P-1237	Left Hand	26	7-A-125	328170-94X	—**JB	5-P-1244	Right Hand	26
630*IT	KIT ADAPTER								
630*JA	5-P-1243	Left Hand	27	7-A-165	7170-3X	—**JC	5-P-1247	Right Hand	27
630*JD	5-P-1248	Left Hand	20	7-A-200	7170-3X	—*JE	5-P-1249	Right Hand	20
630*JK	5-P-1261	Left Hand	24	7-A-187	7170-3X	—**JL	5-P-1262	Right Hand	24
630*JM	5-P-1263	Left Hand	22	7-A-125	7170-3X	—**JN	5-P-1264	Right Hand	22
630*JP	5-P-1268	Left Hand	33	7-A-187	7170-3X	—*JQ	5-P-1269	Right Hand	33
630*JS	5-P-1310	Left Hand	20	7-A-062	--	—*JY	5-P-1312	Right Hand	20
630*JU	5-P-1316	Left Hand	25	7-A-200	7170-4X	—**KA	5-P-1318	Right Hand	25
630*JW	5-P-1319	Left Hand	23	7-A-093	7170-3X	—**KB	5-P-1321	Right Hand	23
630*KJ	5-P-1405	Left Hand	33	--	328170-94X	—*KK	5-P-1406	Right Hand	33
630*KN	5-P-1383	Left Hand	27	7-A-270	7170-4X	—*KP	5-P-1384	Right Hand	27
630*KX	5-P-1411	Left Hand	26	7-A-125	328170-94X	—*KY	5-P-1412	Right Hand	26

## 645 Gear Chart

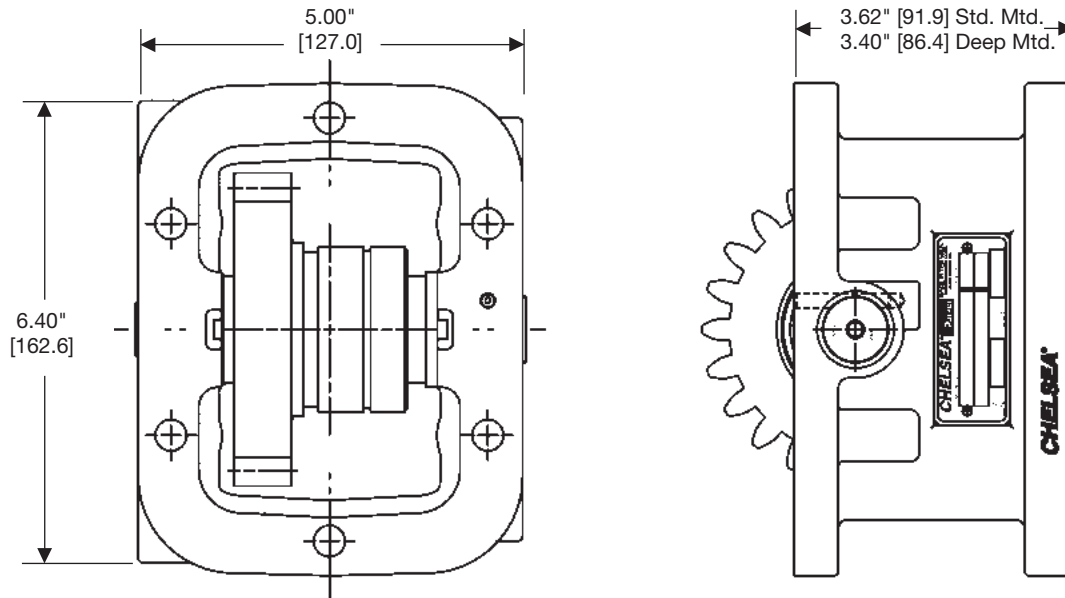
Parts List  
626, 628, 630, 645 Series

Model No.	Adapter Input Gear	Helix Angle	No. Teeth	Spacer Designator	Stud Kit	PTO Pitch	Part No. PTO Gear	Helix Angle	No. Teeth
645*AB	5-P-1001	Spur	19	7-A-140	7170-3X	—**AB	5-P-1001	Spur	19
645*AH	5-P-1004	Spur	22	7-A-140	7170-3X	—**AH	5-P-1004	Spur	22
645*AG	5-P-1003	Spur	22	7-A-140	7170-3X	—*AG	5-P-1003	Spur	22
645*AP	5-P-1006	Left Hand	21	7-A-140	7170-3X	—**GX	5-P-1183	Right Hand	21
645*AR	5-P-1008	Left Hand	21	7-A-187	7170-3X	—**GY	5-P-1184	Right Hand	21
645*AX	5-P-1010	Right Hand	22	7-A-140	7170-3X	—*HA	5-P-1186	Left Hand	22
645*BG	5-P-1015	Left Hand	23	7-A-140	7170-3X	—**HB	5-P-1187	Right Hand	23
645*BH	5-P-1016	Right Hand	25	7-A-240	7170-4X	—*BJ	5-P-1017	Left Hand	25
645*BM	5-P-1020	Left Hand	22	7-A-165	328170-94X	—*HC	5-P-1188	Right Hand	22
645*BQ	5-P-1023	Left Hand	25	7-A-200	7170-4X	—**BP	5-P-1022	Right Hand	26
645*BS	5-P-1025	Left Hand	26	7-A-062	7170-4X	—*BR	5-P-1024	Right Hand	26
645*CB	5-P-1029	Left Hand	25	7-A-140	7170-3X	—**HD	5-P-1189	Right Hand	25
645*CD	5-P-1031	Left Hand	27	7-A-270	7170-4X	—**HE	5-P-1190	Right Hand	27
645*DA	5-P-1037	Spur	23	--	--	—**DA	5-P-1037	Spur	23
645*DM	5-P-1045	Left Hand	17	7-A-125	7170-3X	—*HF	5-P-1191	Right Hand	17
645*DN	5-P-1046	Left Hand	19	--	--	—*HG	5-P-1192	Right Hand	19
645*DU	5-P-1050	Left Hand	28	7-A-240	7170-4X	—**HH	5-P-1193	Right Hand	28
645*EC	5-P-1055	Left Hand	36	7-A-300	7170-4X	—*HJ	5-P-1194	Right Hand	36
645*ED	5-P-1056	Left Hand	34	7-A-240	7170-4X	—**HK	5-P-1195	Right Hand	34
645*ES	5-P-1059	Left Hand	22	7-A-062	--	—**HL	5-P-1196	Right Hand	22
645*EV	5-P-1060	Spur	40	7-A-300	7170-4X	—**EV	5-P-1060	Spur	40
645*EW	5-P-1061	Left Hand	20	7-A-125	7170-3X	—**HM	5-P-1197	Right Hand	20
645*FC	5-P-1064	Left Hand	26	7-A-165	7170-3X	—**HP	5-P-1199	Right Hand	26
645*FE	5-P-1065	Left Hand	29	7-A-270	7170-4X	—*HQ	5-P-1200	Right Hand	29
645*FN	5-P-1070	Left Hand	26	7-A-300	7170-4X	—**HR	5-P-1201	Right Hand	26
645*GQ	5-P-1150	Left Hand	26	7-A-125	7170-3X	—*HS	5-P-1202	Right Hand	26
645*GR	5-P-1157	Spur	23	7-A-062	--	—*GR	5-P-1157	Spur	23
645*HV	5-P-1300	Spur	24	7-A-140	328170-94X	—*HV	5-P-1300	Spur	24
645*HY	5-P-1237	Left Hand	26	7-A-125	328170-94X	—**JB	5-P-1244	Right Hand	26
645*IT	KIT ADAPTER								
645*JA	5-P-1243	Left Hand	27	7-A-165	7170-3X	—**JC	5-P-1247	Right Hand	27
645*JD	5-P-1248	Left Hand	20	7-A-200	7170-3X	—*JE	5-P-1249	Right Hand	20
645*JK	5-P-1261	Left Hand	24	7-A-187	7170-3X	—**JL	5-P-1262	Right Hand	24
645*JM	5-P-1263	Left Hand	22	7-A-125	7170-3X	—**JN	5-P-1264	Right Hand	22
645*JP	5-P-1268	Left Hand	33	7-A-187	7170-3X	—*JQ	5-P-1269	Right Hand	33
645*JS	5-P-1310	Left Hand	20	7-A-062	--	—*JY	5-P-1312	Right Hand	20
645*JU	5-P-1316	Left Hand	25	7-A-200	7170-4X	—**KA	5-P-1318	Right Hand	25
645*JW	5-P-1319	Left Hand	23	7-A-093	7170-3X	—**KB	5-P-1321	Right Hand	23
645*KJ	5-P-1405	Left Hand	33	--	328170-94X	—*KK	5-P-1406	Right Hand	33
645*KN	5-P-1383	Left Hand	27	7-A-270	7170-4X	—*KP	5-P-1384	Right Hand	27
645*KX	5-P-1411	Left Hand	26	7-A-125	328170-94X	—*KY	5-P-1412	Right Hand	26

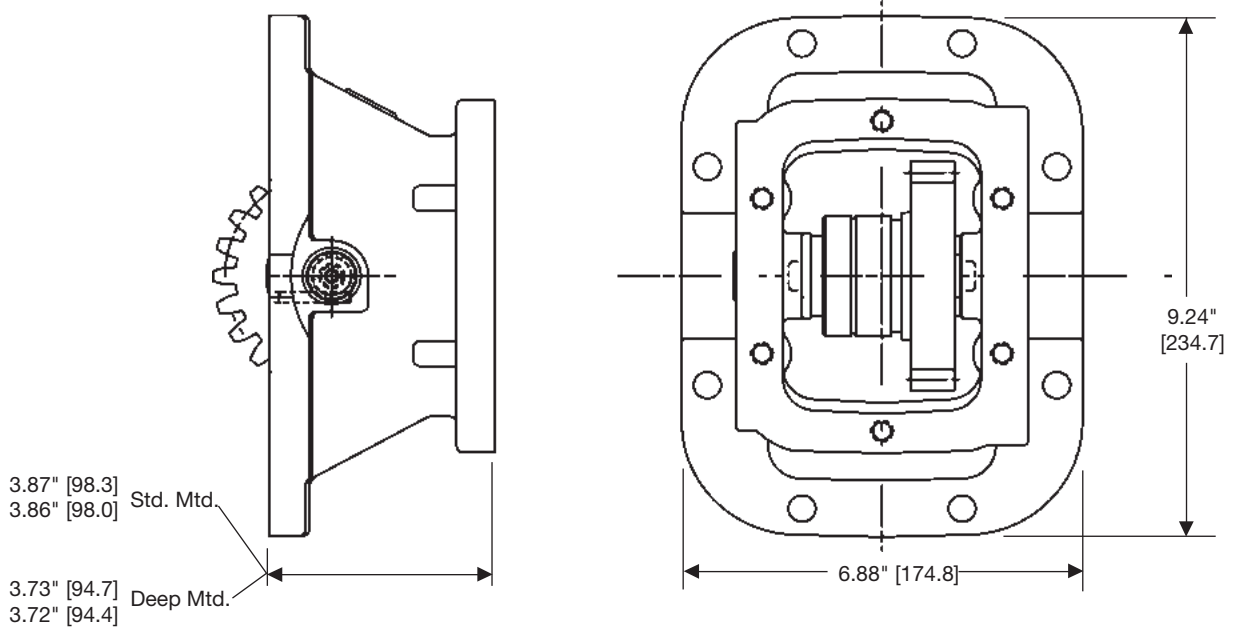
**PTO Housing Dimensions**

**626, 628, 630, 645 Series**

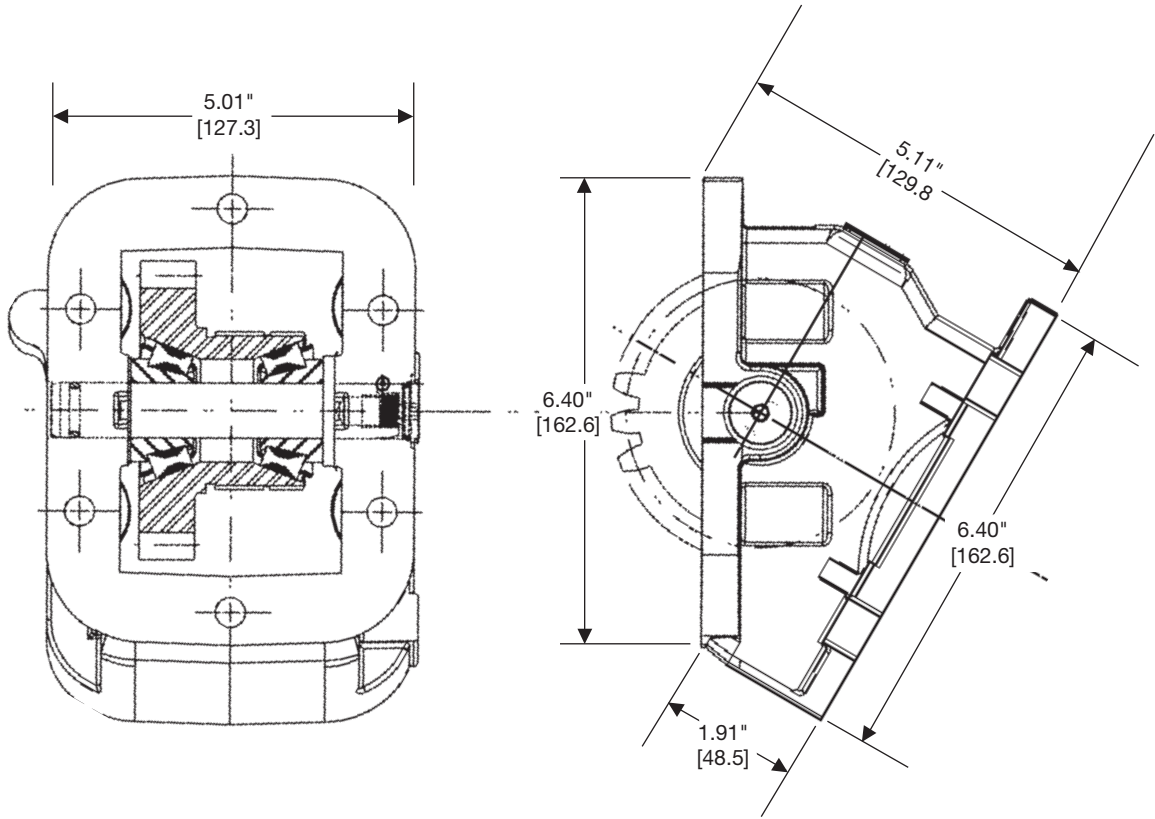
**626 Series**



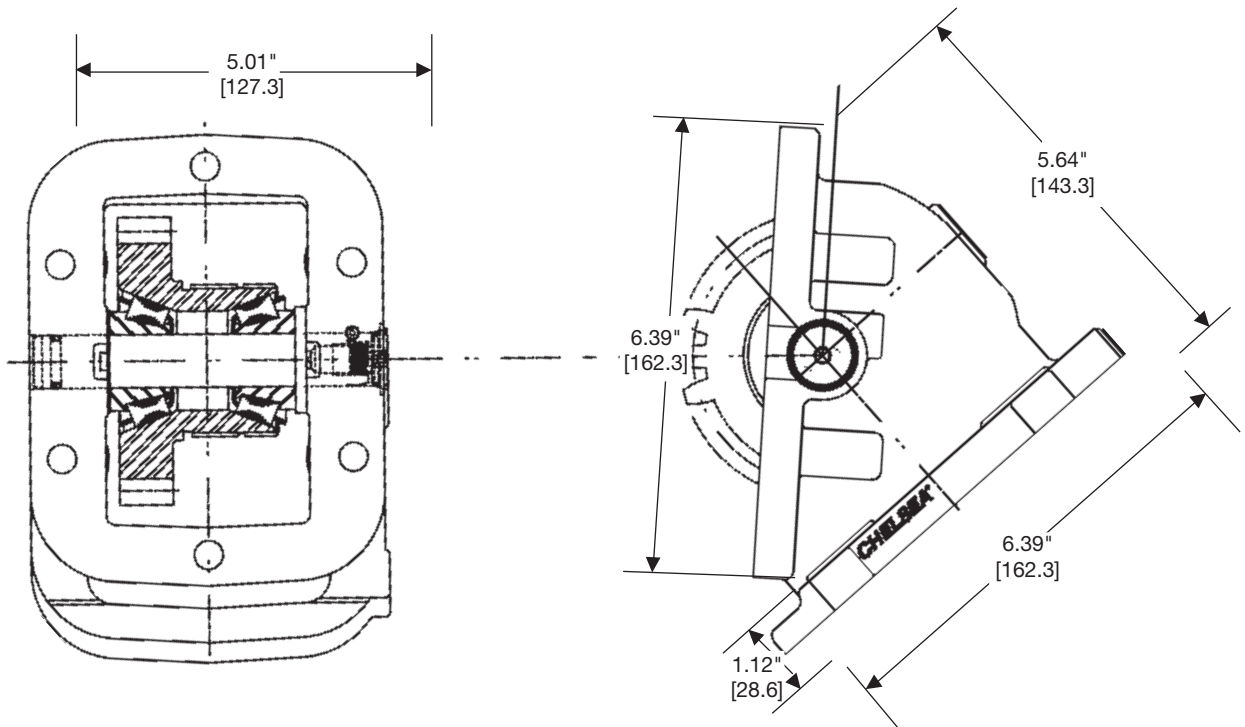
**628 Series**



630 Series



645 Series



Part Number	Description	Qty.
<b>STUD KITS</b>		
<b>328170-76X</b>	<b>Stud Kit (Adapter to Transmission Standard Mount)</b>	
379423-15	Stud (.375"-16 x .375"-24 x 1.875").....	6
379744	Hex Head Flange Nut (.375"-24).....	6
<b>328170-77X</b>	<b>Stud Kit (Adapter to Transmission Deep Mount)</b>	
379423-12	Stud (.375"-16 x .375"-24 x 1.625").....	3
378431-11	Hex Head Capscrew (.375"-16 x 1.125")..	3
379744	9/16" Hex Head Flange Nut (.375"-24).....	3
378774	Tab Lock Washer.....	3
<b>328170-94X ♦</b>	<b>Stud Kit</b>	
379423-13	Stud (.375"-16 x .375"-24 x 1.750").....	6
379744	9/16" Hex Head Flange Nut (.375"-24).....	6
<b>328170-201X</b>	<b>Stud Kit (Adapter to Transmission Metric G Mount)</b>	
379745	11/16" Hex Head Flange Nut (.438"-20)....	8
379429-19	Stud (M12 x 1.75" x .438"-20 x 2.000") ....	8
<b>328170-209X</b>	<b>Stud Kit (Adapter to Transmission X &amp; Z Mount)</b>	
379745	11/16" Hex Head Flange Nut (.438"-20)....	8
379424-19	Stud (M10-1.5" x .375"-24 x 2.375) .....	8
<b>7170-3X</b>	<b>Stud Kit</b>	
379423-18	Stud (.375"-16 x .375"-24 x 2.000").....	6
379744	9/16" Hex Head Flange Nut (.375"-24).....	6
<b>7170-4X ♦</b>	<b>Stud Kit</b>	
379428-20	Stud (.375"-16 x .375"-24 x 2.125").....	6
379744	9/16" Hex Head Flange Nut (.375"-24).....	6
<b>7170-72X</b>	<b>Stud Kit (Adapter to Transmission Metric DJA Mount)</b>	
379428-14	Stud (M10-1.50 x .375"-24 x 1.750") .....	6
379744	9/16" Hex Head Flange Nut (.375"-24).....	6
<b>7170-78X</b>	<b>Stud Kit (Adapter to Transmission Metric G Mount)</b>	
379428-16	Stud (M10-1.50 x .375"-24 x 1.875") .....	6
379744	9/16" Hex Head Flange Nut (.375"-24).....	6

Part Number	Description	Qty.
<b>INSTALLATION INSTRUCTION KITS</b>		
<b>328948-20X</b>	<b>Gasket &amp; Installation Instructions (All Mounting Types)</b>	
35-P-15-1	Gasket (.010").....	2
35-P-15-2	Gasket (.020").....	2
35-P-9-1	Gasket (.010").....	1
35-P-9-2	Gasket (.020").....	1
379624	Product Warranty Card.....	1
328946X	Caution Label Kit.....	1
379085-1	PTO Instructions Decal .....	1
Owner's Manual	HY25-1670-M1/US.....	1
Safety Guide	HY25-1002-M1/US.....	1
<b>328948-22X</b>	<b>Gasket &amp; Installation Instructions (All Other Mounting Types)</b>	
35-P-9-1	Gasket (.010").....	2
35-P-9-2	Gasket (.020").....	2
379624	Product Warranty Card.....	1
328946X	Caution Label Kit.....	1
379085-1	PTO Instructions Decal .....	1
Owner's Manual	HY25-1670-M1/US.....	1
Safety Guide	HY25-1002-M1/US.....	1
<b>328948-26X</b>	<b>Sealant &amp; Installation Instructions (D Mount Only)</b>	
379753	Gasket Sealant .....	1
379624	Product Warranty Card.....	1
328946X	Caution Label Kit.....	1
379085-1	PTO Instructions Decal .....	1
Owner's Manual	HY25-1670-M1/US.....	1

♦ = Active in Price Book

BOMs in each kit group are listed in order based on part number.









## Offer of Sale

1. **Definitions.** As used herein, the following terms have the meanings indicated.
- Buyer: means any customer receiving a Quote for Products.
- Goods: means any tangible part, system or component to be supplied by Seller.
- Products: means the Goods, Services and/or Software as described in a Quote.
- Quote: means the offer or proposal made by Seller to Buyer for the supply of Products.
- Seller: means Parker-Hannifin Corporation, including all divisions and businesses thereof.
- Services: means any services to be provided by Seller.
- Software: means any software related to the Goods, whether embedded or separately downloaded.
- Terms: means the terms and conditions of this Offer of Sale.
2. **Terms.** All sales of Products by Seller are expressly conditioned upon, and will be governed by the acceptance of, these Terms. These Terms are incorporated into any Quote provided by Seller to Buyer. Buyer's order for any Products whether communicated to Seller verbally, in writing, by electronic data interface or other electronic commerce, shall constitute acceptance of these Terms. Seller objects to any contrary or additional terms or conditions of Buyer. Reference in Seller's order acknowledgement to Buyer's purchase order or purchase order number shall in no way constitute an acceptance of any of Buyer's terms or conditions of purchase. No modification to these Terms will be binding on Seller unless agreed to in writing and signed by an authorized representative of Seller.
3. **Price; Payment.** The Products set forth in the Quote are offered for sale at the prices indicated in the Quote. Unless otherwise specifically stated in the Quote, prices are valid for thirty (30) days and do not include any sales, use, or other taxes or duties. Seller reserves the right to modify prices at any time to adjust for any raw material price fluctuations. Unless otherwise specified by Seller, all prices are F.C.A. Seller's facility (INCOTERMS 2020). All sales are contingent upon credit approval and full payment for all purchases is due thirty (30) days from the date of invoice (or such date as may be specified in the Quote). Unpaid invoices beyond the specified payment date incur interest at the rate of 1.5% per month or the maximum allowable rate under applicable law.
4. **Shipment; Delivery; Title and Risk of Loss.** All delivery dates are approximate, and Seller is not responsible for damages resulting from any delay. Regardless of the manner of shipment, delivery occurs and title and risk of loss or damage pass to Buyer, upon placement of the Products with the carrier at Seller's facility. Unless otherwise agreed prior to shipment and for domestic delivery locations only, Seller will select and arrange, at Buyer's sole expense, the carrier and means of delivery. When Seller selects and arranges the carrier and means of delivery, freight and insurance costs for shipment to the designated delivery location will be prepaid by Seller and added as a separate line item to the invoice. Buyer shall be responsible for any additional shipping charges incurred by Seller due to Buyer's acts or omissions. Buyer shall not return or repackage any Products without the prior written authorization from Seller, and any return shall be at the sole cost and expense of Buyer.
5. **Warranty.** The warranty for the Products is as follows: (i) Seller warrants that all Products sold conform to the applicable Parker Chelsea standard specification for the lesser period of 2 years (24 Months) from date of service or 2-1/2 years (30 Months) from date of build (as marked on the Products name plate); (ii) Services shall be performed in accordance with generally accepted practices and using the degree of care and skill that is ordinarily exercised and customary in the field to which the Services pertain and are warranted for a period of six (6) months from the date of completion of the Services; and (iii) Software is only warranted to perform in accordance with applicable specifications provided by Seller to Buyer for ninety (90) days from the date of delivery or, when downloaded by a Buyer or end-user, from the date of the initial download. All prices are based upon the exclusive limited warranty stated above, and upon the following disclaimer: **EXEMPTION CLAUSE; DISCLAIMER OF WARRANTY, CONDITIONS, REPRESENTATIONS: THIS WARRANTY IS THE SOLE AND ENTIRE WARRANTY, CONDITION, AND REPRESENTATION, PERTAINING TO PRODUCTS. SELLER DISCLAIMS ALL OTHER WARRANTIES, CONDITIONS, AND REPRESENTATIONS, WHETHER STATUTORY, EXPRESS OR IMPLIED, INCLUDING BUT NOT LIMITED TO THOSE RELATING TO DESIGN, NONINFRINGEMENT, MERCHANTABILITY, AND FITNESS FOR**

**A PARTICULAR PURPOSE. SELLER DOES NOT WARRANT THAT THE SOFTWARE IS ERROR-FREE OR FAULT-TOLERANT, OR THAT BUYER'S USE THEREOF WILL BE SECURE OR UNINTERRUPTED. UNLESS OTHERWISE AUTHORIZED IN WRITING BY SELLER, THE SOFTWARE SHALL NOT BE USED IN CONNECTION WITH HAZARDOUS OR HIGH RISK ACTIVITIES OR ENVIRONMENTS. EXCEPT AS EXPRESSLY STATED HEREIN, ALL PRODUCTS ARE PROVIDED "AS IS".**

6. **Claims; Commencement of Actions.** Buyer shall promptly inspect all Products upon receipt. No claims for shortages will be allowed unless reported to Seller within ten (10) days of delivery. Buyer shall notify Seller of any alleged breach of warranty within thirty (30) days after the date the non-conformance is or should have been discovered by Buyer. Any claim or action against Seller based upon breach of contract or any other theory, including tort, negligence, or otherwise must be commenced within twelve (12) months from the date of the alleged breach or other alleged event, without regard to the date of discovery.

7. **LIMITATION OF LIABILITY.** IN THE EVENT OF A BREACH OF WARRANTY, SELLER WILL, AT ITS OPTION, REPAIR OR REPLACE THE NON-CONFORMING PRODUCT, RE-PERFORM THE SERVICES, OR REFUND THE PURCHASE PRICE PAID WITHIN A REASONABLE PERIOD OF TIME. **IN NO EVENT IS SELLER LIABLE FOR ANY SPECIAL, INDIRECT, INCIDENTAL OR CONSEQUENTIAL DAMAGES INCLUDING ANY LOSS OF REVENUE OR PROFITS, WHETHER BASED IN CONTRACT, TORT OR OTHER LEGAL THEORY. IN NO EVENT SHALL SELLER'S LIABILITY UNDER ANY CLAIM MADE BY BUYER EXCEED THE PURCHASE PRICE PAID FOR THE PRODUCTS.**

8. **Confidential Information.** Buyer acknowledges and agrees that any technical, commercial, or other confidential information of Seller, including, without limitation, pricing, technical drawings or prints and/or part lists, which has been or will be disclosed, delivered or made available, whether directly or indirectly, to Buyer ("Confidential Information"), has been and will be received in confidence and will remain the property of Seller. Buyer further agrees that it will not use Seller's Confidential Information for any purpose other than for the benefit of Seller.

9. **Loss to Buyer's Property.** Any tools, patterns, materials, equipment or information furnished by Buyer or which are or become Buyer's property ("Buyer's Property"), will be considered obsolete and may be destroyed by Seller after two (2) consecutive years have elapsed without Buyer ordering the Products manufactured using Buyer's Property. Furthermore, Seller shall not be responsible for any loss or damage to Buyer's Property while it is in Seller's possession or control.

10. **Special Tooling.** "Special Tooling" includes but is not limited to tools, jigs, fixtures and associated manufacturing equipment acquired or necessary to manufacture Goods. Seller may impose a tooling charge for any Special Tooling. Such Special Tooling shall be and remain Seller's property notwithstanding payment of any charges by Buyer. In no event will Buyer acquire any interest in the Special Tooling, even if such Special Tooling has been specially converted or adapted for manufacture of Goods for Buyer and notwithstanding any charges paid by Buyer. Unless otherwise agreed, Seller has the right to alter, discard or otherwise dispose of any Special Tooling or other property owned by Seller in its sole discretion at any time.

11. **Security Interest.** To secure payment of all sums due from Buyer, Seller retains a security interest in all Products delivered to Buyer and, Buyer's acceptance of these Terms is deemed to be a Security Agreement under the Uniform Commercial Code. Buyer authorizes Seller as its attorney to execute and file on Buyer's behalf all documents Seller deems necessary to perfect Seller's security interest.

12. **User Responsibility.** Buyer, through its own analysis and testing, is solely responsible for making the final selection of the Products and assuring that all performance, endurance, maintenance, safety and warning requirements of the application of the Products are met. Buyer must analyze all aspects of the application and follow applicable industry standards, specifications, and any technical information provided with the Quote or the Products, such as Seller's instructions, guides and specifications. If Seller provides options of or for Products based upon data or specifications provided by Buyer, Buyer is responsible for determining that such data and specifications are suitable and sufficient for all applications and reasonably foreseeable uses of the Products. In the event Buyer is not the end-user of the Products, Buyer will ensure such end-user complies with this paragraph.

**Offer of Sale Continued**

**WARNING:** This product can expose you to chemicals including Lead and Lead Compounds, and Di(2-ethylhexyl)phthalate (DEHP) which are known to the State of California to cause cancer and birth defects or other reproductive harm. For more information go to [www.P65Warnings.ca.gov](http://www.P65Warnings.ca.gov)

**13. Use of Products, Indemnity by Buyer.** Buyer shall comply with all instructions, guides and specifications provided by Seller with the Quote or the Products. **Unauthorized Uses.** If Buyer uses or resells the Products in any way prohibited by Seller's instructions, guides or specifications, or Buyer otherwise fails to comply with Seller's instructions, guides and specifications, Buyer acknowledges that any such use, resale, or non-compliance is at Buyer's sole risk. Further, Buyer shall indemnify, defend, and hold Seller harmless from any losses, claims, liabilities, damages, lawsuits, judgments and costs (including attorney fees and defense costs), whether for personal injury, property damage, intellectual property infringement or any other claim, arising out of or in connection with: (a) improper selection, design, specification, application, or any misuse of Products; (b) any act or omission, negligent or otherwise, of Buyer; (c) Seller's use of patterns, tools, equipment, plans, drawings, designs, specifications or other information or things furnished by Buyer; (d) damage to the Products from an external cause, repair or attempted repair by anyone other than Seller, failure to follow instructions, guides and specifications provided by Seller, use with goods not provided by Seller, or opening, modifying, deconstructing, tampering with or repackaging the Products; or (e) Buyer's failure to comply with these Terms. Seller shall not indemnify Buyer under any circumstance except as otherwise provided in these Terms.

**14. Cancellations and Changes.** Buyer may not cancel or modify, including but not limited to movement of delivery dates for the Products, any order for any reason except with Seller's written consent and upon terms that will indemnify, defend and hold Seller harmless against all direct, incidental and consequential loss or damage and any additional expense. Seller, at any time, may change features, specifications, designs and availability of Products.

**15. Limitation on Assignment.** Buyer may not assign its rights or obligations without the prior written consent of Seller.

**16. Force Majeure.** Seller is not liable for delay or failure to perform any of its obligations by reason of events or circumstances beyond its reasonable control. Such circumstances include without limitation: accidents, labor disputes or stoppages, government acts or orders, acts of nature, pandemics, epidemics, other widespread illness, or public health emergency, delays or failures in delivery from carriers or suppliers, shortages of materials, war (whether declared or not) or the serious threat of same, riots, rebellions, acts of terrorism, fire or any reason whether similar to the foregoing or otherwise. Seller will resume performance as soon as practicable after the event of force majeure has been removed. All delivery dates affected by force majeure shall be tolled for the duration of such force majeure and rescheduled for mutually agreed dates as soon as practicable after the force majeure condition ceases to exist. Force majeure shall not include financial distress, insolvency, bankruptcy, or other similar conditions affecting one of the parties, affiliates and/or subcontractors.

**17. Waiver and Severability.** Failure to enforce any provision of these Terms will not invalidate that provision; nor will any such failure prejudice either party's right to enforce that provision in the future. Invalidation of any provision of these Terms shall not invalidate any other provision herein and, the remaining provisions will remain in full force and effect.

**18. Termination.** Seller may terminate any agreement governed by or arising from these Terms for any reason and at any time by giving Buyer thirty (30) days prior written notice. Seller may immediately terminate, in writing, if Buyer: (a) breaches any provision of these Terms, (b) becomes or is deemed insolvent, (c) appoints or has appointed a trustee, receiver or custodian for all or any part of Buyer's property, (d) files a petition for relief in bankruptcy on its own behalf, or one is filed against Buyer by a third party, (e) makes an assignment for the benefit of creditors; or (f) dissolves its business or liquidates all or a majority of its assets.

**19. Ownership of Software.** Seller retains ownership of all Software supplied to Buyer hereunder. In no event shall Buyer obtain any greater right in and to the Software than a right in the nature of a license limited to the use thereof and subject to compliance with any other terms provided with the Software.

**20. Indemnity for Infringement of Intellectual Property Rights.**

Seller is not liable for infringement of any patents, trademarks, copyrights, trade dress, trade secrets or similar rights ("Intellectual Property Rights") except as provided in this Section. Seller will defend at its expense and will pay the cost of any settlement or damages awarded in an action brought against Buyer based on a third party claim that one or more of the Products sold hereunder infringes the Intellectual Property Rights of a third party in the country of delivery of the Products by Seller to Buyer. Seller's obligation to defend and indemnify Buyer is contingent on Buyer notifying Seller within ten (10) days after Buyer becomes aware of any such claim, and Seller having sole control over the defense of the claim including all negotiations for settlement or compromise. If one or more Products sold hereunder is subject to such a claim, Seller may, at its sole expense and option, procure for Buyer the right to continue using the Products, replace or modify the Products so as to render them non-infringing, or offer to accept return of the Products and refund the purchase price less a reasonable allowance for depreciation. Seller has no obligation or liability for any claim of infringement: (i) arising from information provided by Buyer; or (ii) directed to any Products provided hereunder for which the designs are specified in whole or part by Buyer; or (iii) resulting from the modification, combination or use in a system of any Products provided hereunder. The foregoing provisions of this Section constitute Seller's sole and exclusive liability and Buyer's sole and exclusive remedy for claims of infringement of Intellectual Property Rights.

**21. Governing Law.** These Terms and the sale and delivery of all Products are deemed to have taken place in, and shall be governed and construed in accordance with, the laws of the State of Ohio, as applicable to contracts executed and wholly performed therein and without regard to conflicts of laws principles. Buyer irrevocably agrees and consents to the exclusive jurisdiction and venue of the courts of Cuyahoga County, Ohio with respect to any dispute, controversy or claim arising out of or relating to the sale and delivery of the Products.

**22. Entire Agreement.** These Terms, along with the terms set forth in the main body of any Quote, forms the entire agreement between the Buyer and Seller and constitutes the final, complete and exclusive expression of the terms of sale and purchase. In the event of a conflict between any term set forth in the main body of a Quote and these Terms, the terms set forth in the main body of the Quote shall prevail. All prior or contemporaneous written or oral agreements or negotiations with respect to the subject matter shall have no effect. These Terms may not be modified unless in writing and signed by an authorized representative of Seller.

**23. Compliance with Laws.** Buyer agrees to comply with all applicable laws, regulations, and industry and professional standards, including those of the United States of America, and the country or countries in which Buyer may operate, including without limitation the U.S. Foreign Corrupt Practices Act ("FCPA"), the U.S. Anti-Kickback Act ("Anti-Kickback Act"), U.S. and E.U. export control and sanctions laws ("Export Laws"), the U.S. Food Drug and Cosmetic Act ("FDCA"), and the rules and regulations promulgated by the U.S. Food and Drug Administration ("FDA"), each as currently amended. Buyer agrees to indemnify, defend, and hold harmless Seller from the consequences of any violation of such laws, regulations and standards by Buyer, its employees or agents. Buyer acknowledges that it is familiar with all applicable provisions of the FCPA, the Anti-Kickback Act, Export Laws, the FDCA and the FDA and certifies that Buyer will adhere to the requirements thereof and not take any action that would make Seller violate such requirements. Buyer represents and agrees that Buyer will not make any payment or give anything of value, directly or indirectly, to any governmental official, foreign political party or official thereof, candidate for foreign political office, or commercial entity or person, for any improper purpose, including the purpose of influencing such person to purchase Products or otherwise benefit the business of Seller. Buyer further represents and agrees that it will not receive, use, service, transfer or ship any Products from Seller in a manner or for a purpose that violates Export Laws or would cause Seller to be in violation of Export Laws. Buyer agrees to promptly and reliably provide Seller all requested information or documents, including end-user statements and other written assurances, concerning Buyer's ongoing compliance with Export Laws.

08/20



**Parker Hannifin Corporation**  
Chelsea Products Division  
8225 Hacks Cross Road  
Olive Branch, Mississippi 38654 USA  
Tel: 662 895 1040  
[www.parker.com/chelsea](http://www.parker.com/chelsea)