

# Parker Pur Ag<sup>®</sup> SlimBox Filter

Log 9, 6" Deep, MERV 16  
Pathogen Barrier Final Filter



## Patented Filtration Technology for the Prevention of Airborne Diseases in Agricultural Environments

Reduce risk, increase profits, and improve air quality at your facility. All it takes is one costly outbreak from any number of common diseases to significantly impact your swine or poultry population, production, and business. Investing in Parker's high-quality air pathogen barrier filters can protect your livestock from catastrophic effects of PRRS, PED, influenza, foot-and-mouth disease, Aujeszky's, M-hyo, infectious coryza, avian influenza, Newcastle disease, and bronchitis. And as farmers brace for the possible spread of African swine fever to the U.S., Canada and Mexico markets it is more important than ever to trap airborne viruses and the dust particles they travel on before they enter your livestock facilities.

### Applications:

- Evaporating cooling systems
- Cool cell wall
- Attic filtration
- Eave filtration

### Contact Information:

Parker Hannifin Corporation  
**HVAC Filtration Division**  
100 River Ridge Circle  
Jeffersonville, Indiana 47130

phone 866 247 4827

[www.parker.com/HVAC](http://www.parker.com/HVAC)



Patent protected 6419871, 9510557

### Product Features and Benefits:

- Patented, MERV 16-rated pathogen barrier, 6" deep, with Log 9 viral efficiency
- 100% synthetic, moisture-resistant, gradient density, media will not support microbial growth
- High-strength, mechanical locking structure reduces possibility of damage during handling or installation, further reducing the risk of airborne illness to livestock
- Media pack is fully scaled around the perimeter into the frame eliminating air bypass
- Proprietary, patented pleating technology delivers lower airflow resistance and higher dust holding capacity than the V-Bank option
- Factory installed upstream and downstream gasket eliminates air bypass
- Lightweight, compact construction simplifies replacement and lowers shipping cost
- Patented high efficiency media provides industry leading airflow at low resistance
- All-plastic construction fully incinerable

ENGINEERING YOUR SUCCESS.

# Pur Ag® SlimBox

Vastly improved air quality for your agricultural facility

Parker HVAC offers complete air filtration solutions that meet the tough demands of farming facilities. Ask about our pre-filters, frames, and housings to protect the air quality – and ultimately – your animals from disease-causing viruses.



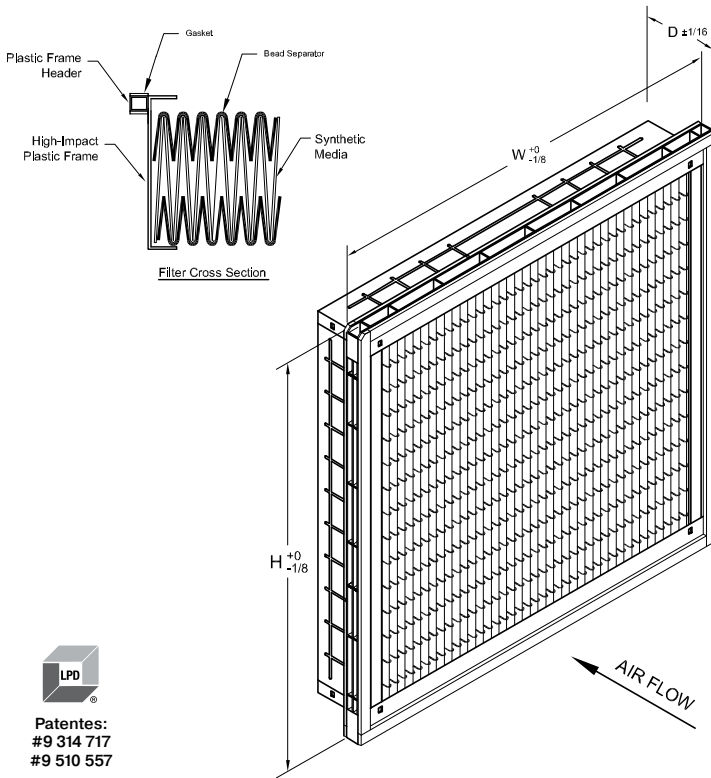
## Specifications

The Parker SlimBox filter installs easily into the filter grid frame, eave housings, attic housings, or metal filter frame and is available in two standard compatible sizes.

Model Number	Nominal Size (W x H x D) Inches	Actual Size (W x H x D) Inches	Initial Rated Air Flow @ 0.10" W.G. (CFM)	Initial Airflow @ 0.20" W.G. (CFM)	Reduction Performance	Media Area (Square Feet)
SB6-L9-04-PH-UD	24 x 24 x 6	23-3/8 x 23-3/8 x 5-7/8	492	871	LOG 9 / MERV 16	120
SB6-L9-15-PH-UD	20 x 24 x 6	19-3/8 x 23-3/8 x 5-7/8	410	725	LOG 9 / MERV 16	100

	Airflow with pre-filter installed at pressure (in inches W.G)					
Log 9 / MERV 16 Pathogen Barrier	0.10	0.15	0.20	0.25	0.30	
24 x 24 with 2" Pre-filter	413	585	716	838	953	
20 x 24 with 2" Pre-filter	344	487	596	698	793	

## Dimensional Drawings



Patentes:  
#9 314 717  
#9 510 557

Materials of Construction	
Media	100% synthetic
Pleats	E-Pleat technology – Embossed pleat pack with adhesive beads
Frame	High-impact plastic frame panels
Sealant	Hot melt adhesive
Gaskets	3/4" single header, air upstream side; 1/4" x 3/4" gasket on air entry and air downstream side of header

### Notes:

1. Removal performance validated for Log 9 reduction of Aerosol PRRSV.
2. MERV 16 per ASHRAE 52.2-2012. Initial resistance 0.60" W.G. @ 1968 CFM. Tested at 492 FPM on 24 x 24 x 6 filter size.
3. MERV-A 16-A per ASHRAE 52.2-2012 Appendix J.
4. Maximum operating temperature 180°F.

**⚠ WARNING:** This product can expose you to chemicals, including chromium, formaldehyde and styrene, which are known to the State of California to cause cancer, and lead, methanol, toluene, which is known to the State of California to cause birth defects and other reproductive harm. For more information go to [www.P65Warnings.ca.gov](http://www.P65Warnings.ca.gov).



Your Local Authorized Parker Distributor

