

Chelsea® 680 Series

Two Gear Heavy Duty PTO
for Mechanical Transmission



Overview:

The Chelsea 680 PTO features a cast iron housing, cast iron bearing caps, and a press fit idler pin with tapered cone bearings and one-piece input gears to give it the highest torque rating and longest service life possible. The space saving air shift cover provides maximum clearance in tight spaces. It offers a large variety of output options including Chelsea's popular 360° rotatable and greaseable pump mount options. It has four internal speed ratios and eleven shift options to make this one versatile PTO. Take advantage of over 70 years of Chelsea PTO technology to increase performance and lower costs.

- Aerial
- Fire & Rescue
- Dump Trucks & Trailers
- Service Trucks
- Blower & Vacuum



Contact Information:

Parker Hannifin Corporation
Chelsea Products Division
8225 Hacks Cross Road
Olive Branch, MS 38654 USA

Phone: 1-888-PH4-TRUK
(1-888-744-8785)

Fax: 1-662-895-1069
chelseacustserv@parker.com

www.parker.com/chelsea

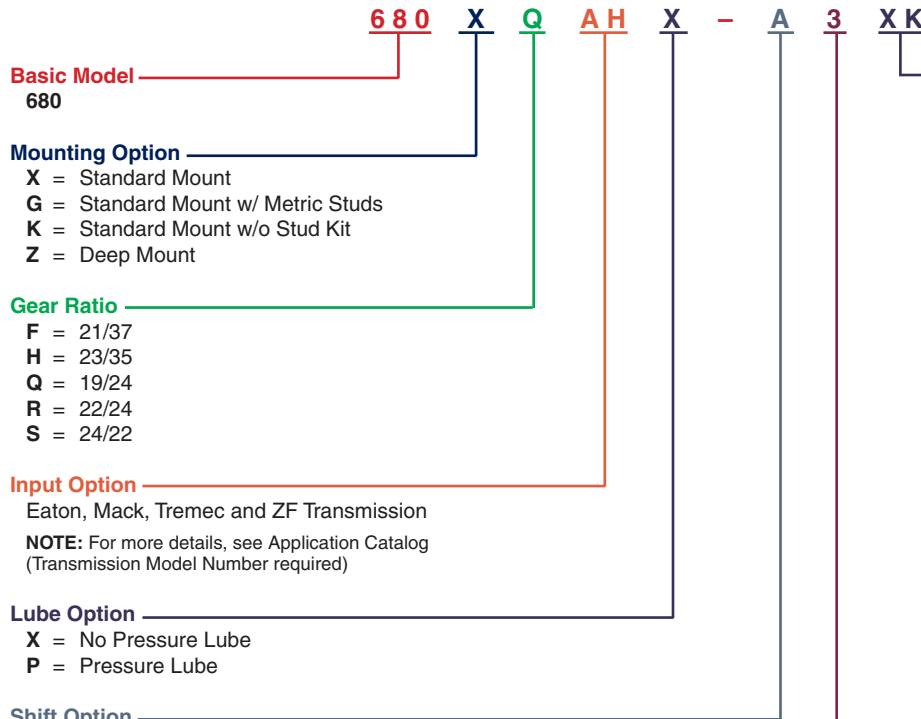
Product Features and Benefits:

- **Coverage** – Excellent for transmissions with 8-Bolt openings
- **Housing** – Deep mount housing option for Mack applications
- **Torque** – Designed for higher torque applications such as pneumatic blowers
- **Outputs** – Twenty-eight output options
- **Shift Options** – Eleven shift options
- **Power** – Torque ratings up to 375 lbs-ft
- **Confidence** – Two Year Warranty



ENGINEERING YOUR SUCCESS.

680 SERIES POWER TAKE-OFF SPECIFICATIONS AND TECHNICAL DATA



Output Option

Driveline Output

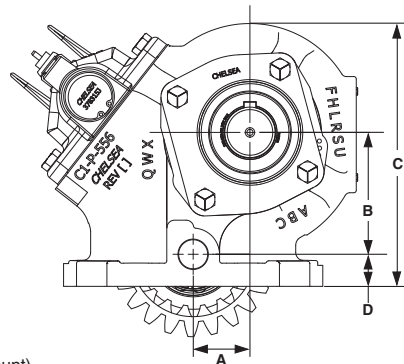
- XD** = Rd Standard Shaft (1-1/4" - 5/16" Key)
- XV** = 1410 Series Companion Flange
- XX** = 1-1/4" Tapered Output Shaft w/ Keyway

Pump Mount

- XE** = SAE A 2 or 4-Bolt Flange, SAE A Shaft (5/8" - 9T)
- AK** = SAE B 2-Bolt Flange, SAE B Shaft (7/8" - 13T)
- XK** = SAE B 2 or 4-Bolt Flange, SAE B Shaft (7/8" - 13T)
- ⁵⁹**XQ** = SAE B 2 or 4-Bolt Flange, SAE B Shaft (7/8" - 13T)
- AF** = SAE B 2 or 4-Bolt Flange, SAE BB Shaft (1" - 15T)
- AZ** = SAE B 2 or 4-Bolt Flange, SAE C Shaft (1-1/4" - 14T)
- GA** = Greaseable SAE B 2-Bolt Rotatable Flange, SAE B Shaft (7/8" - 13T)
- GB** = Greaseable SAE B 4-Bolt Rotatable Flange, SAE B Shaft (7/8" - 13T)
- GK** = Greaseable SAE B 2 or 4-Bolt Flange, SAE B Shaft (7/8" - 13T)
- ⁵⁹**GQ** = Greaseable SAE B 2 or 4-Bolt Flange, SAE B Shaft (7/8" - 13T)
- GH** = Greaseable SAE B 2-Bolt Rotatable Flange, SAE BB Shaft (1" - 15T)
- GF** = Greaseable SAE B 2 or 4-Bolt Flange, SAE BB Shaft (1" - 15T)
- GZ** = Greaseable SAE B 2 or 4-Bolt Flange, SAE C Shaft (1-1/4" - 14T)
- GR** = Greaseable Chelsea Special (Cloverleaf), SAE B Shaft (7/8" - 13T)
- GY** = Greaseable ISO 7653 Pump Mount DIN 5462 Shaft
- RC** = Rotatable SAE A 2-Bolt Flange, SAE A Shaft (5/8" - 9T)
- RD** = Rotatable SAE A 2-Bolt Flange, SAE B Shaft (7/8" - 13T)
- RA** = Rotatable SAE B 2-Bolt Flange, SAE B Shaft (7/8" - 13T)
- RF** = Rotatable SAE B 2-Bolt Flange, SAE BB Shaft (1" - 15T)
- RK** = Rotatable SAE B 2 or 4-Bolt Flange, SAE B Shaft (7/8" - 13T)
- RB** = Rotatable SAE B 4-Bolt Flange, SAE B Shaft (7/8" - 13T)
- RE** = Rotatable SAE B 4-Bolt Flange, SAE BB Shaft (1" - 15T)
- RY** = Rotatable ISO 7653 Pump Mount DIN 5462 Shaft
- XR** = Chelsea Special (Cloverleaf), SAE B Shaft (7/8" - 13T)
- XY** = ISO 7653 Pump Mount DIN 5462 Shaft

Assembly Arrangement

3, 4, 5, 6



¹ Includes mounting parts.

²¹ Includes installation kit, console sold separately.

⁵⁹ Same as XK except rotated 90°.

Dimensions

- A** = 1.401" (F, S & U Ratios), 1.032" (Q & W Ratios)
- B** = 3.007" (F, S & U Ratios), 2.908" (Q & W Ratios)
- C** = 6.566" (Z Mount), 6.708" (X Mount), 6.345" (E Mount)
- D** = .930" (Z Mount), 1.072" (X Mount), .709" (E Mount)

Specifications Chart

Approximate Weight: 28.2 lbs. [12.8 kg]

	680*F	680*H	680*Q	680*R	680*S
Intermittent Torque Rating (lbs-ft) [Nm]	375 [508]	375 [508]	375 [508]	350 [475]	325 [441]
HP Rating for Intermittent Duty					
At 500 RPM of Output Shaft (HP) [Kw]	36 [27]	36 [27]	36 [27]	33 [25]	31 [23]
At 1000 RPM of Output Shaft (HP) [Kw]	71 [53]	71 [53]	71 [53]	67 [50]	62 [46]
At 1500 RPM of Output Shaft (HP) [Kw]	107 [80]	107 [80]	107 [80]	100 [75]	93 [69]