

Chelsea® 880 Series

8-Bolt Heavy Duty Mechanical PTO



Overview:

Not every PTO is as tough as an 880. That's because many don't need to be. But if you're using bulk haulers, fire trucks, oil rigs, utility and generator applications, large truck recovery or other tough challenges, the Chelsea 8-Bolt 880 Series PTO is designed for high and low speed, high torque applications with constant mesh input gears. It features a standard lever control shift, or an optional air control shift. Pressure lubrication is available to ensure longer bearing life. Tapered cone bearings offer excellent load bearing capability. And the rugged cast-iron housing is extremely durable. The shift cover is removable, making backlash adjustment easier and more accurate. The 880 is an 8-Bolt heavy-duty PTO rated for up to 500 lbs-ft torque for intermittent service.

- Bulk Haulers
- Aerial Trucks
- Fire Trucks
- Large Recovery Trucks
- Oil Field



Contact Information:

Parker Hannifin Corporation
Chelsea Products Division
8225 Hacks Cross Road
Olive Branch, MS 38654 USA

Phone: 1-888-PH4-TRUK
(1-888-744-8785)

Fax: 1-662-895-1069
chelseacustserv@parker.com

www.parker.com/chelsea

Product Features and Benefits:

- **Coverage** – Wide coverage for tough applications
- **Output Options** – Ten (10) output options
- **Speed Ratios** – Eight (8) internal speed ratios
- **Shift Cover** – Removable for adjusting backlash
- **Torque** – Up to 500 lbs-ft
- **Blower Applications** – High speed and torque for pneumatic blower applications
- **Confidence** – Two Year Warranty



ENGINEERING YOUR SUCCESS.

880 SERIES POWER TAKE-OFF SPECIFICATIONS AND TECHNICAL DATA

880 X B A H X - Y 3 X V

Basic Model
880

Mounting Option
G = Standard Mount Metric Studs
K = Standard Mount w/o Stud Kit
L = Deep Mount w/o Stud Kit
Q = Eaton Endurant
X = Standard Mount
Z = Deep Mount
D = Daimler DT12 w/ Adapter

Gear Ratio
B = 18/32 **M** = 25/25
D = 20/30 **Q** = 27/23
G = 21/29 **R** = 29/21
J = 23/27 **T** = 32/18

Input Option
 Eaton, Tremac, Meritor, Chelsea, Daimler Transmissions
 See Current Price Book for Options
NOTE: For more details, see Application Catalog
 (Transmission model number required)

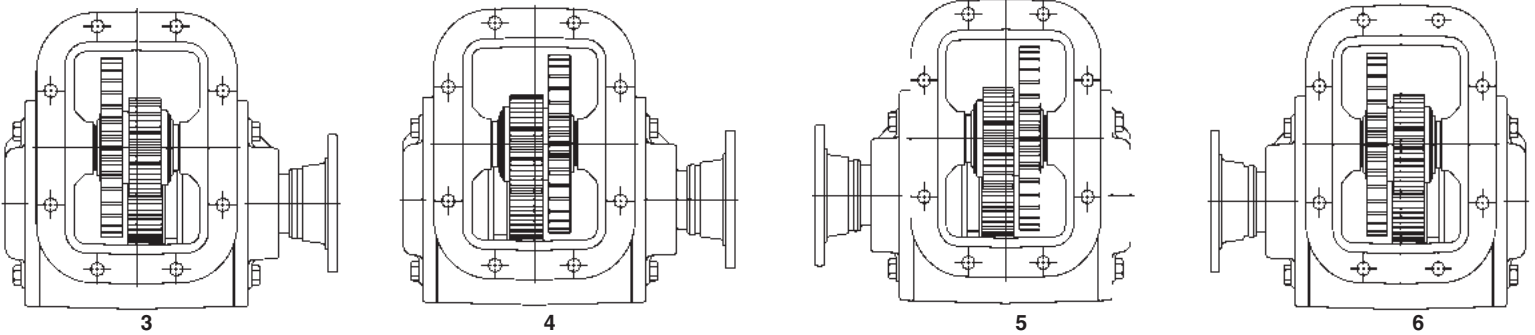
Lube Option
X = No Pressure Lube
P = Pressure Lube

Output Option
Driveline Output
XV = 1410 Series Companion Flange
Pump Mount
XK = SAE B 2 or 4-Bolt Flange, SAE B Shaft (7/8" - 13T)
AF = SAE B 2 or 4-Bolt Flange, SAE BB Shaft (1" - 15T)
AZ = SAE B 2 or 4-Bolt Flange, SAE C Shaft (1-1/4" - 14T)
XS = SAE C 2 or 4-Bolt Flange, SAE C Shaft (1-1/4" - 14T)
XY = ISO 7653 Pump Mount DIN 5462 Shaft
GS = Greasable SAE C 2 or 4-Bolt Flange, SAE C Shaft (1-1/4" - 14T)

Assembly Arrangement
3, 4, 5, 6

Shift Option
¹**A** = Air Shift
V = Air Shift w/o Installation Kit
¹**P** = 12V Elec/Air Shift
D = 12V Elec/Air Shift - Eaton Endurant
M = Constant Mesh
Y = Lever Shift
H = No Shift Assembly

¹ Includes mounting parts



Specifications Chart	Approximate Weight: 63 lbs. [28.6 kg]							
	880*B	880*D	880*G	880*J	880*M	880*Q	880*R	880*T
Intermittent Torque Rating (lbs-ft) [Nm]	500 [678]	500 [678]	500 [678]	500 [678]	500 [678]	450 [610]	400 [542]	350 [475]
HP Rating for Intermittent Duty								
At 500 RPM of Output Shaft (HP) [Kw]	48 [36]	48 [36]	48 [36]	48 [36]	48 [36]	43 [32]	38 [28]	33 [25]
At 1000 RPM of Output Shaft (HP) [Kw]	95 [71]	95 [71]	95 [71]	95 [71]	95 [71]	86 [64]	76 [57]	67 [50]

© 2020 Parker Hannifin Corporation

Supersedes HY25-0017-B1/US February 2019

HY25-0017-B1/US November 2020



ENGINEERING YOUR SUCCESS.